

Compact Bluetooth® module for secure temperature and humidity recording

Typical applications :

- Transport and storage of perishable goods (food, wine, tobacco, etc.)
- Transport of sensitive goods (medical, biological, etc.)
- Storage of precious objects (furniture, paintings, instruments, etc.)
- Wireless measurement in sealed containers (laboratories, R&D, etc.)

ref : THEye TH-2



Humidity

Range : 0% to 100% RH

Accuracy : Typ. $\pm 2.0\%$
 Max. $\pm 4.5\%$ (10% – 90%)
 Max. $\pm 7.5\%$ (<10%, >90%)

Resolution : 0.06%

Drift <math>< 0.25\%RH/yr</math>

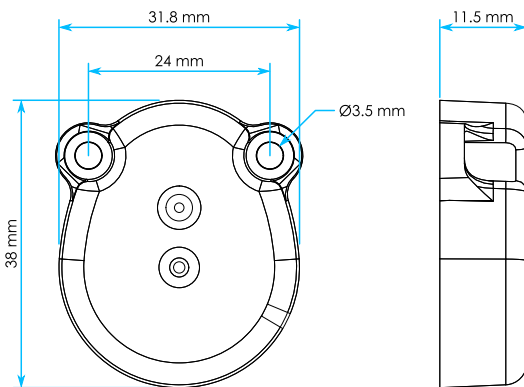
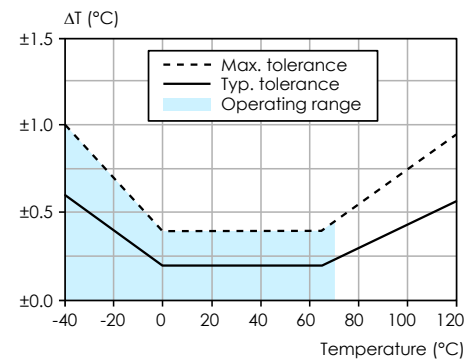
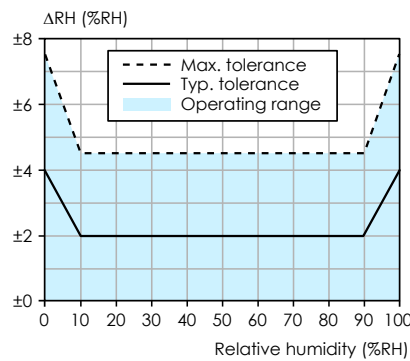
Temperature

Range : $-40^{\circ}C$ to $+70^{\circ}C$

Accuracy : Typ. $\pm 0.2^{\circ}C$
 Max. $\pm 0.4^{\circ}C$ ($0^{\circ}C$ – $65^{\circ}C$)
 Max. $\pm 1.0^{\circ}C$ ($<0^{\circ}C$, $>65^{\circ}C$)

Resolution : 0.09°C

Drift : $< 0.03^{\circ}C/yr$



Dimensions / Battery / Standards

- Width : 31.8mm
- Length : 38mm
- Height : 11.5mm
- Button cell : CR2450 (non replaceable)
- IP 68, CE

Autonomy

Autonomy (with a 540mAh battery) :

- 3.5 years with one measurement per second
- 8 years with one measurement every 10 seconds

Recording capacity :

Temperature on 11 bit, res 0.09°C / Humidity on 11 bit, res 0.06% :

- Min. 172'000 Temperature / Humidity points.
 → 120 day history with one measurement per minute.

Operating temperature :

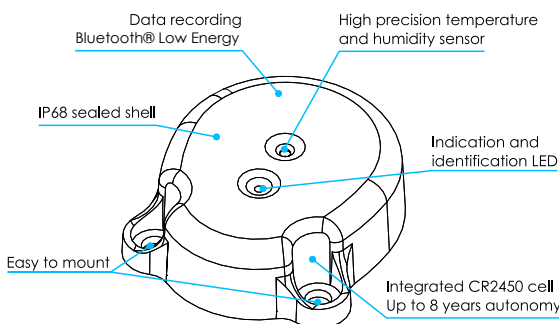
- $-40^{\circ}C$ $+70^{\circ}C$

Communication

 Bluetooth® 5 LE

Application

Secure application for temperature and humidity graphs
 « THEye Controller » available for download.



by FiveCo